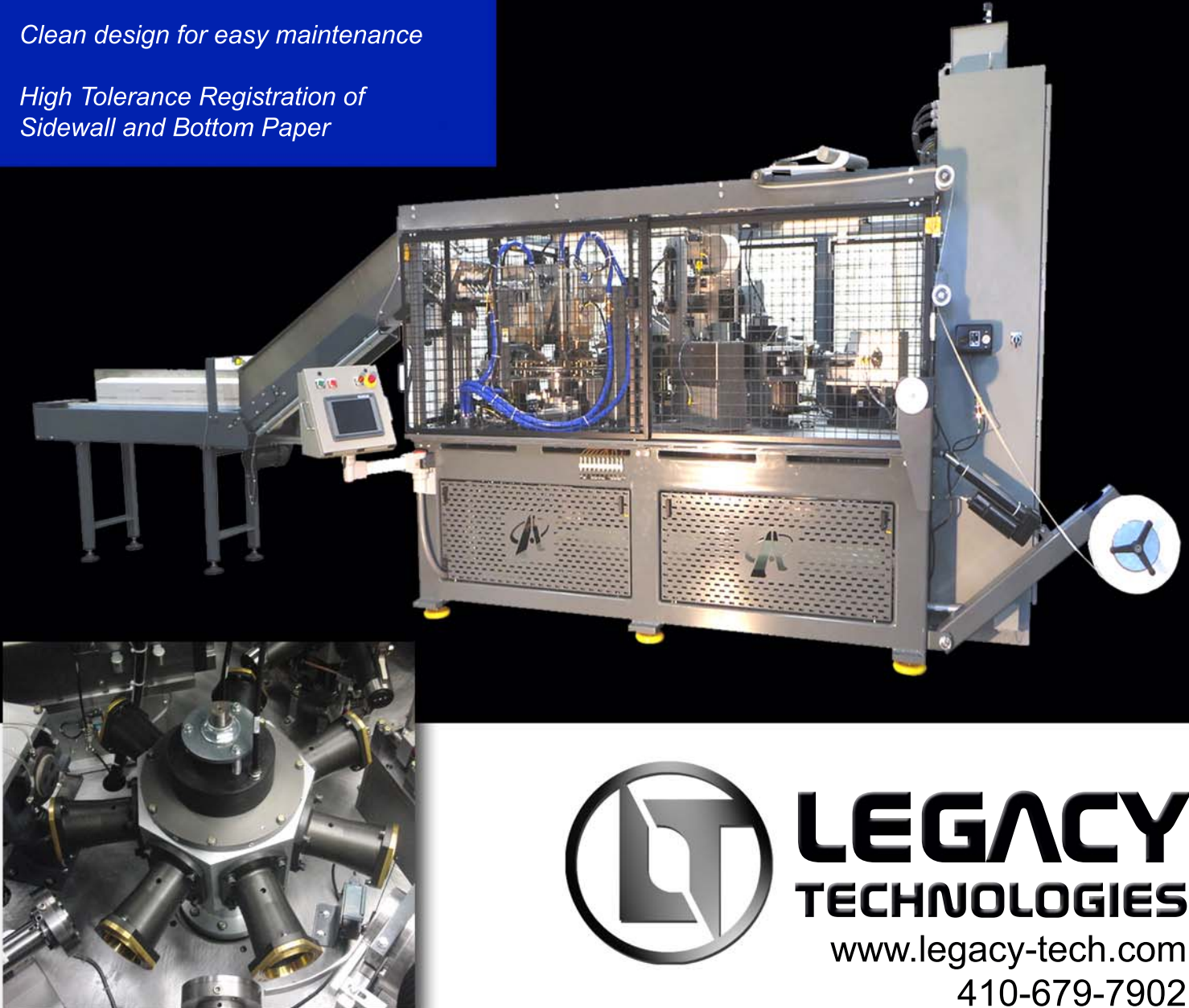


## Features and Benefits

- *Production Speed of 200 cups/minute*
- *Forms 8 oz. to 32 oz. containers*
- *Blank or Roll Fed Configuration*
- *Bottom Stock Splice Detection and Bypass*
- *Flameless Hot Air Sealing*
- *Modular Platform Allows Quick Adjustments and Change-overs*
- *Easy to Operate Through Color Touch Screen*
- *Clean design for easy maintenance*
- *High Tolerance Registration of Sidewall and Bottom Paper*

# Legacy T4 Cup Former

**The T4 Cup Forming Machine** delivers a versatile platform to manufacture single-wrap, two-piece service cups at up to 200 cups per minute. It utilizes the latest in servo technology to drive modular stations that perform each of the forming functions. This delivers many tool-less adjustments in an open, uncluttered design.

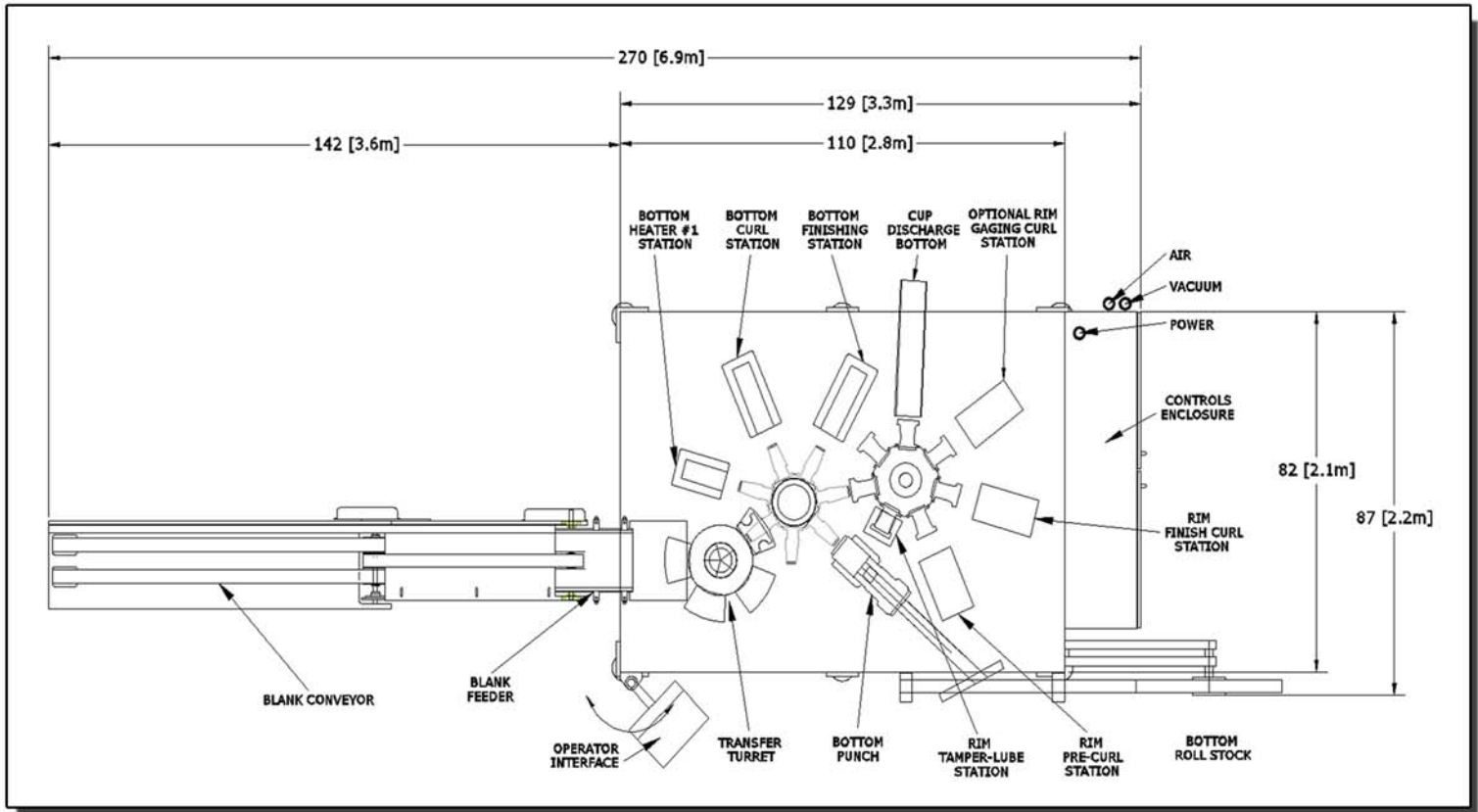


**LEGACY  
TECHNOLOGIES**

[www.legacy-tech.com](http://www.legacy-tech.com)

410-679-7902

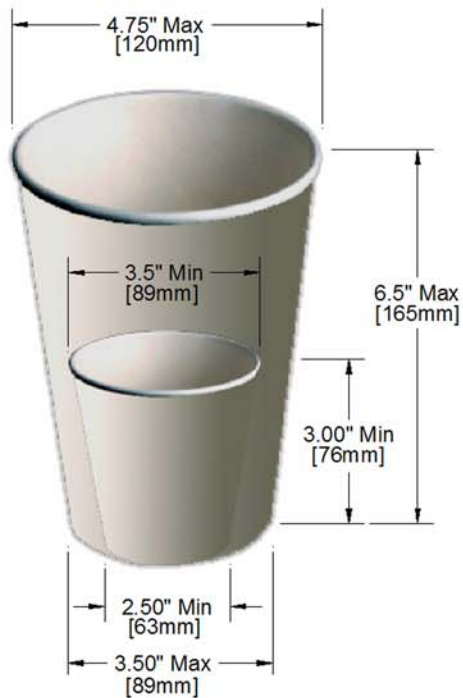
# Legacy T4 Cup Forming Machine



The dimensions, descriptions, illustrations and other particulars in this brochure are provided in good faith and are for information purposes only. No guarantee or warranty is given or implied. Copyright © 2016 Legacy Technologies

## Container Sizes

The Legacy T4 high speed cup forming machine is designed to manufacture single-wrap, two-piece, hot or cold service cups in a range of sizes.



## Paper Specifications

The Legacy T4 is designed to form paper cups from bleached white sulphate paper stock with a minimum cross grain stretch of 3%, less than 1% ash content and high bond-strength characteristics.

Paper stock must be coated on at least one side with low-density, heat-sealable polyethylene. Specific paperboard caliper and poly coating thickness minimums are based on the cup or container being formed.

## Service Requirements

Electrical	65 kVA 3 PH @ 50 or 60 HZ
Compressed Air	75 CFM @ 80 PSI
Vacuum	75 CFM @ 18 in-Hg

Volumes listed are flow rates at typical conditions, 1.0 atmosphere and 68° F.



**Legacy Technologies Company**  
1207A Belmar Drive • Belcamp, MD 21017  
410-679-7902 • [www.legacy-tech.com](http://www.legacy-tech.com)